

HIGH POWER / SPEAKERS / ASSETS

FORCE-12DSP

ACTIVE HIGH-POWER LOUDSPEAKER.



CLASS D



DSP

- ✓ High power with rich sound
- ✓ Robust structure and high quality components
- ✓ Built-in amplifier, with digital signal processor (DSP) with 4 sound modes
- ✓ Carrying handles, suspension points and hole in base for 35 mm tube
- ✓ User-friendly and intuitive



+ Info:

<https://fonestar.com/FORCE-12DSP>

ESPECIALLY RECOMMENDED IN:



Sports facilities



Hospitality



Hotels



All sectors

DESCRIPTION

High power active speaker. Professional active loudspeaker. Integrated DSP with 4 sound modes: Music, Live, Speech, DJ. Selectable MONITOR function, extra attenuation at low frequencies. Fully configurable sound modes via advanced software. It allows the frequency response, delay, compressor/limiter to be adapted to the needs of the installations or event. Class D amplifier with high efficiency and high reliability thanks to low maintenance protection circuits. High power with a very nuanced sound. Wireless stereo installation with wireless technology. Robust injection structure, high transport resistance. Coated with grain paint. Its simple and intuitive use minimizes setup time depending on the installation. Perfect for mobile disco applications, discotheques, pubs, gyms, restaurants, events or parties, etc.

TECHNICAL CHARACTERISTICS

FEATURES	<p>High power active speaker. DSP processor. Wireless receiver. Heavy duty box with granulated paint finish. Transport handles and suspension points. Hole in the base for 35 mm tube.</p>
AMPLIFIER	<p>800 W peak, 600 W maximum, 300 W RMS Class D</p>
PROTECTION	<p>Temperature, short circuit and overload</p>
LOUDSPEAKERS	<p>1 x 12" woofer: 65 mm coil and 156 mm ferrite magnet 1 x 1" compression driver: 34 mm coil and 90 mm magnet</p>
RESPONSE	<p>55-20,000 Hz</p>
INPUTS	<p>2 micro/línea balanceada. Conector Combo (XLR y jack 6'3 mm) Nivel de señal de micro: 75 mV RMS (-42 dBV) / 600 Ohm Nivel de señal de línea: 400 mV RMS (-8 dBV) / 100k Ohm</p>
OUTPUTS	<p>1 balanced line, XLR</p>
SENSITIVITY	<p>97 dB at 1 W/1 m</p>
SOUND PRESSURE	<p>123 dB at maximum power at 1 m</p>
DISPERSION	<p>90° H x 90° V</p>
SUSPENSION POINTS	<p>5 M8 points</p>



+ Info:

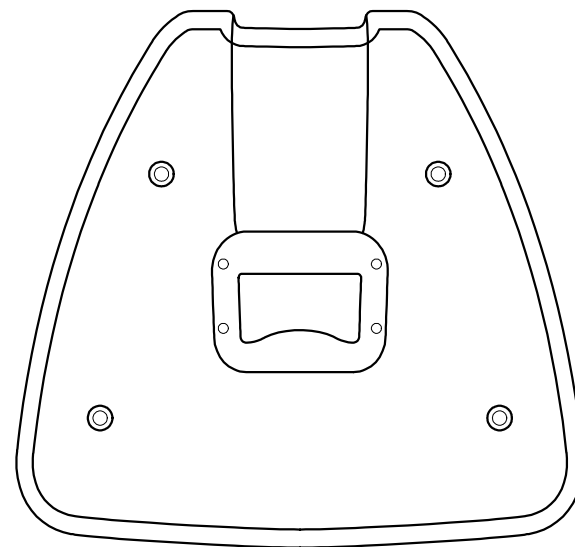
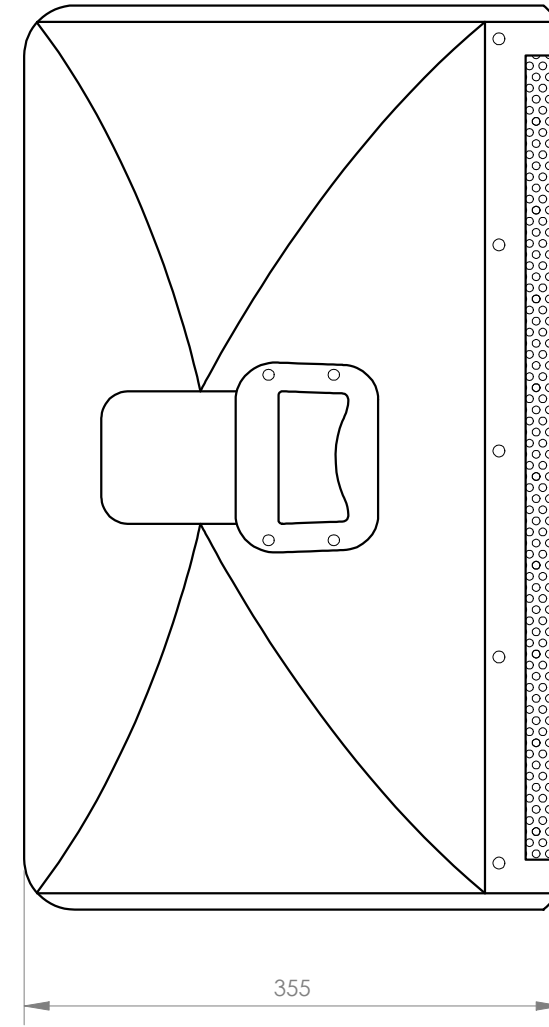
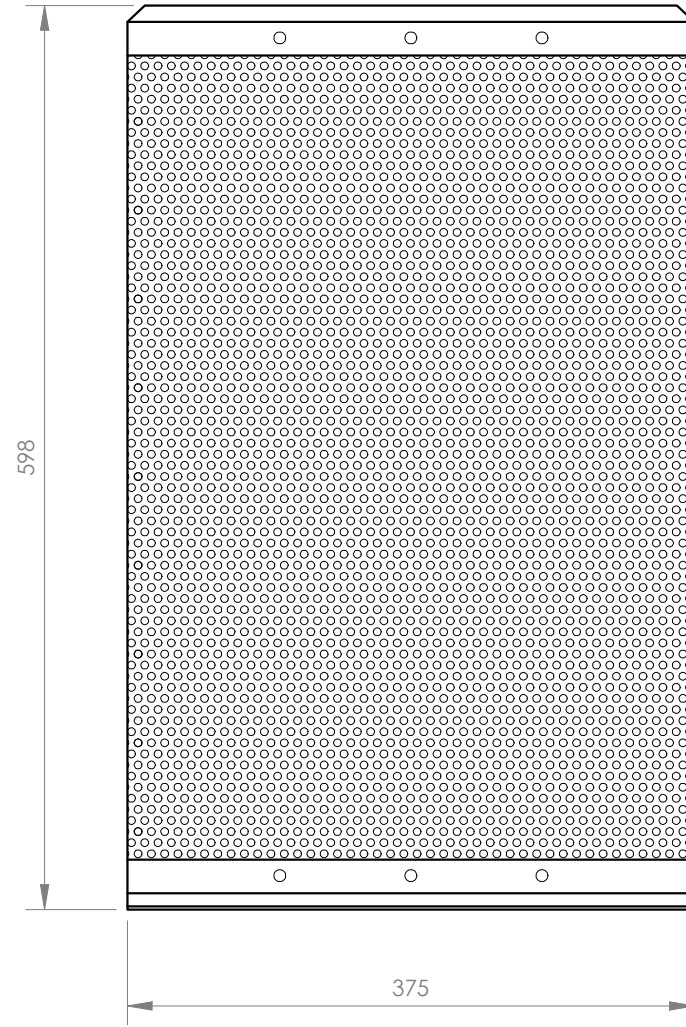
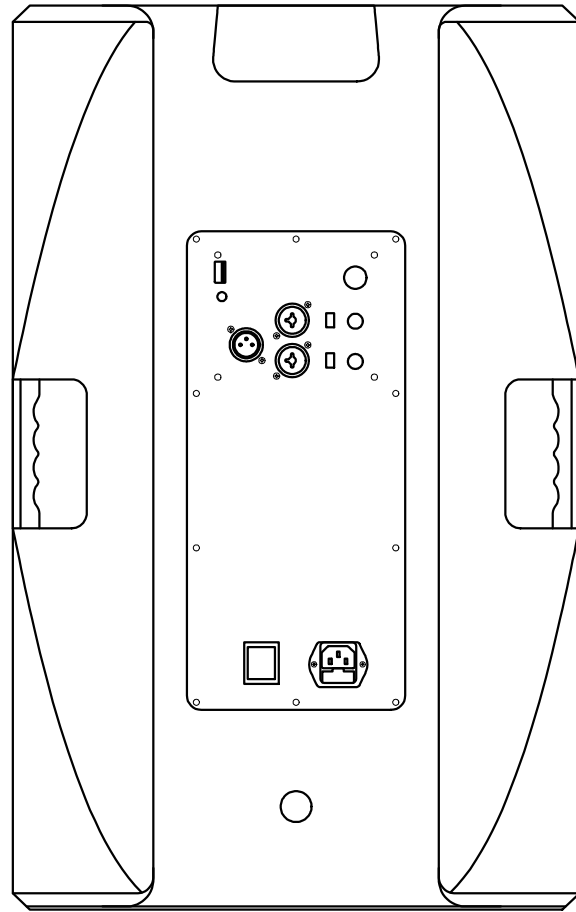
<https://fonestar.com/FORCE-12DSP>

COLOUR	Black
POWER SUPPLY	115/230 V AC, 250 W
DIMENSIONS	375 x 595 x 360 mm depth
WEIGHT	177 kg



+ Info:

<https://fonestar.com/FORCE-12DSP>



FONESTAR	Model	Description	Units	Scale
	FORCE-12DSP	ACTIVE HIGH-POWER LOUDSPEAKER.	mm	1:5